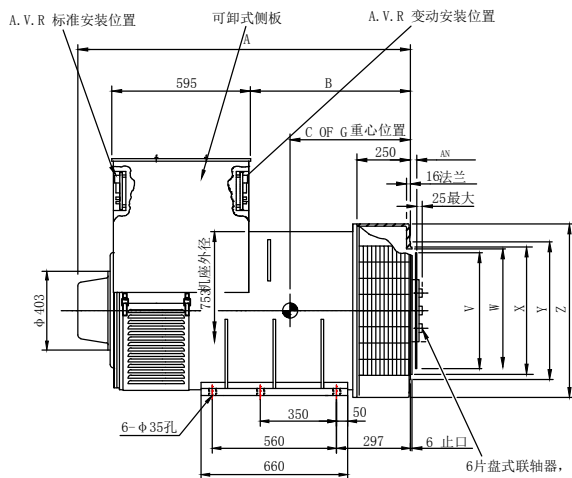
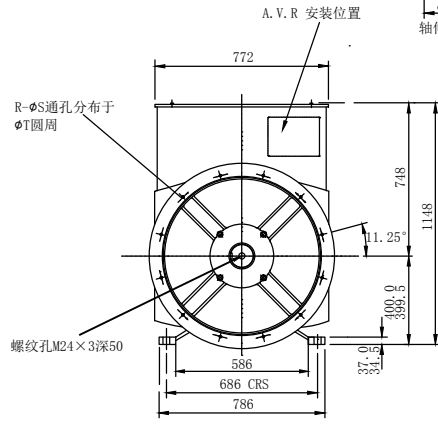
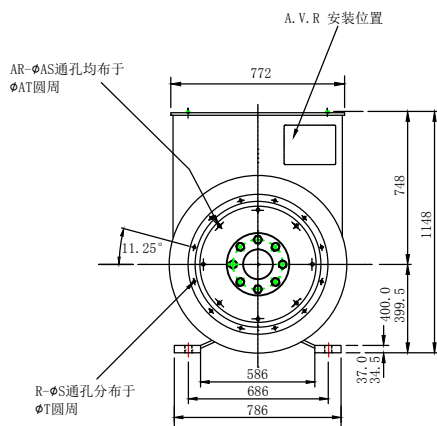
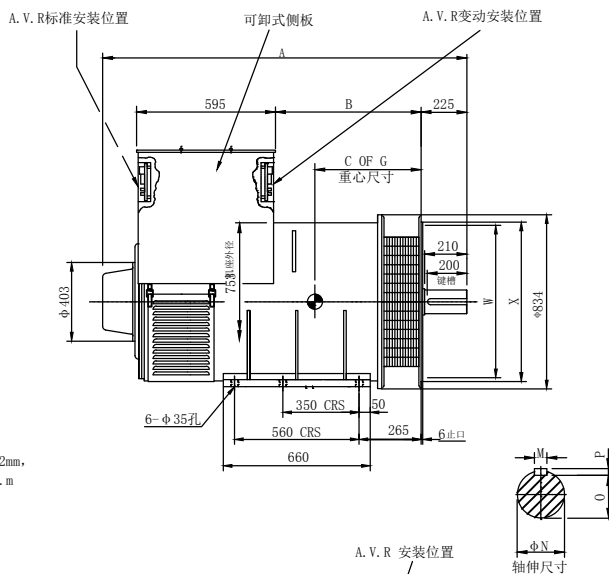


WR6 外形图



6片盘式联轴器, 总厚7.2mm, 毅盘紧固螺栓须用48Kgf.m 或822N.m的力矩拧紧



●单支点

尺寸			
	A	B	C of G
WR6B	1578	726	587
WR6C			591
WR6D			597
WR6E			607
WR6F			625
WR6G			1679

盘片式联轴器					
SAE NO	AN	AR	AS	AT	V
14	25.4	8	13.5	438.1	466.6
18	15.87	6	16.7	543	571
21	0	12	16.7	641.3	673.2
24	0	12	20.7	692	733.3

法兰式过渡接套							
SAE NO	R	S	T	W	X	Y	Z
00	16	14	851	772	787.4	-	883
0	16	14	679.5	632	647.7	711	834
1/2	12	14	619	569	584.2	648	834

运输数据			
	净重(kg)	毛重(kg)	包装箱尺寸(cm)
WR6B	1950	2020	180X100X145
WR6C	1970	2040	180X100X145
WR6D	2030	2100	180X100X145
WR6E	2190	2260	180X100X145
WR6F	2420	2490	180X100X145
WR6G	2750	2820	195X100X145

●双支点

尺寸			
	A	B	C of G
WR6B	1718	640	587
WR6C			591
WR6D			597
WR6E			607
WR6F			625
WR6G			1904

法兰式过渡接套					
SAE NO	R	S	T	W	X
00	16	14	851	772	787.4
0	16	14	679.5	632	647.7
1/2	12	14	619	569	584.2

轴伸尺寸				
	M	φN	O	P
WR6BCDEF	27.978	110.035	100.0	16
	27.926	110.013	99.8	
WR6G	31.974	125.040	114.0	18
	31.912	125.015	113.8	

运输数据			
	净重(kg)	毛重(kg)	包装箱尺寸(cm)
WR6B	1960	2030	180X100X145
WR6C	1980	2050	180X100X145
WR6D	2040	2110	180X100X145
WR6E	2210	2280	180X100X145
WR6F	2430	2500	180X100X145
WR6G	2760	2830	195X100X145

● 所有图形和重量仅供参考, 如有疑问, 请与工厂联系并参照外形图。